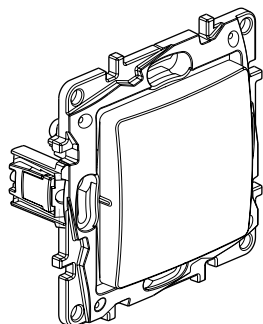
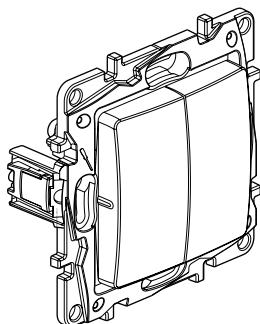


Niloé™
Switch or two-way switch
Double two-way switch with or without indicator
Triple switch - Intermediate switch - Pushbutton
Multifunction controls - Roller blind

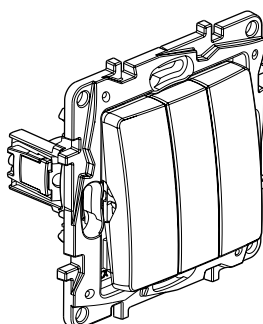
Cat. No(s) : 664 501/502/503/504/505/506/508/510/511
664 601/602/603/604/605/606/608/610/611
664 700/709/713/714
664 800/809/813/814



664 501/601



664 502/602



664 503/603

CONTENTS

Pages

1. Use.....	1
2. Range.....	1-2
3. Positioning.....	2
4. Overall dimensions.....	2
5. Connection.....	2
6. Technical features.....	3
7. Maintenance.....	3
8. Accessories.....	3
9. Standards and approvals....	3

1. USE

The mechanisms are supplied with rockers and supports. To be fitted with one-gang or multi-gang plates, colour: white or ivory. Mechanisms flush-mounted or surface-mounted.

Fixed using screws or clips (see clip accessory). Switches or two-way switches, and intermediate switches: 10 AX - 250 V~. NO-NC pushbutton: 6 A - 250 V~.

2. RANGE

10 AX switches and two-way switches - 250 V~

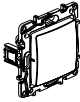
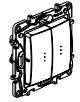

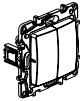
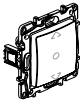
	Description	Colour		Function	Connection
		White RAL 903	Ivory RAL 113		
	Switch with claws	664 700	664 800	3 terminals, either switch function or two-way switch	Screws terminals
	Two-way switch with claws	664 501	664 601		Auto terminals
	Double switch with claws	664 506	664 606	2 x 3 terminals, either switch function or two-way switch	Screws terminals
	Double two-way switch with claws	664502	664 602		Auto terminals
	Two-way switch with indicator with claws	664 510	664 610	Becomes illuminated with lamps Cat. No. 665 090 or Cat. No. 665 092 and monitor with lamp Cat. No. 665 091	Auto terminals
	Triple switch with claws	664 503	664 603	3 x 1-gang switches with fixing claws	Screws terminals
	Intermediate switch with claws	664 504	664 604		

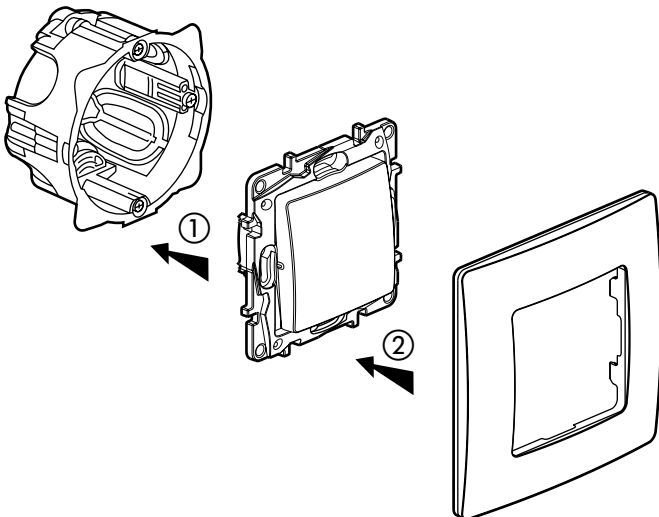
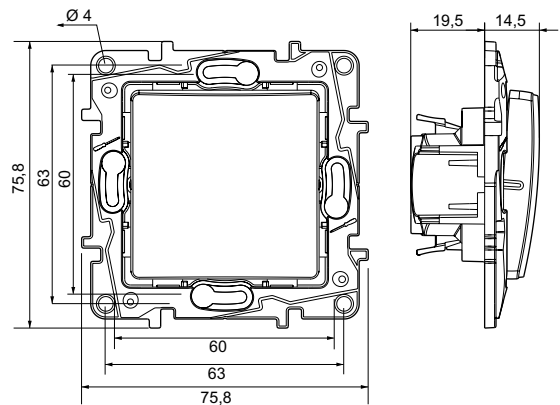
Niloé™

Switch or two-way switch
 Double two-way switch with or without indicator
 Triple switch - Intermediate switch - Pushbutton
 Multifunction controls - Roller blind

Cat. No(s) : 664 501/502/503/504/505/506/508/510/511
 664 601/602/603/604/605/606/608/610/611
 664 700/709/713/714
 664 800/809/813/814

2. RANGE (continued)**NO-NC pushbuttons - 6 A - 250 V~**

	Description	Colour		Function	Connection
		White	Ivory		
	Switch	664 713	664 813	Supplied in pushbutton mode with wide rocker plate fitted. Possible configurations: pushbutton, two-way switch, double pushbutton, double two-way switch, pushbutton + two-way switch, two-way switch + pushbutton (supplied with 2 half rocker plates for combined functions)	Auto terminals
	Double illuminated	664 714	664 814	Supplied in double pushbutton mode. Can be converted to double illuminated two-way switch. Possible configurations: double illuminated pushbutton, double illuminated two-way switch, double two-way switch (supplied with 2 lamps for illuminated functions Cat. No. 665 090).	
	Switch with claws	664 505	664 605	6 A NO-NC contact	Auto terminals
	Double with claws	664 508	664 608		
6 AX roller blind and 10 AX ventilation - 250 V~					
	Roller blind switch with claws	664 511	664 611	3-position switch Raise - Stop - Lower for direct motor control	Screw terminals

3. POSITIONING**4. OVERALL DIMENSIONS****5. CONNECTION**

The control functions have automatic terminals, except for the roller blind/intermediate switch and 3-gang switch functions, which have screw connections.

The automatic terminal release keys are grey (RAL 735).

Stripping length: 13 mm only for automatic terminals.

Compatible with flexible or rigid cables.

Cable entries for the phase marked with red colour code.

Niloé™

**Switch or two-way switch
Double two-way switch with or without indicator
Triple switch - Intermediate switch - Pushbutton
Multifunction controls - Roller blind**

Cat. No(s) : 664 501/502/503/504/505/506/508/510/511
664 601/602/603/604/605/606/608/610/611
664 700/709/713/714
664 800/809/813/814

6. TECHNICAL FEATURES

6.1 Mechanical features

IP: 31
IK: 04

6.2 Materials

Poly gloss appearance
Colour: White (RAL 903) and Ivory (RAL 113)

Material: - Plate ABS
- Rocker plate: ABS
- Halogen-free

Self-extinguishing: - 850°C/30 s for insulating parts holding live parts in place
- 650°C/30 s for other parts made of insulating materials

UV resistant

6.3 Electrical features

Voltage: 250 VAC

Current: - 10 AX for switch, two-way switch and intermediate switch
- 6 A for NO-NC pushbuttons
- 6 AX for roller blind switch

6.4 Climatic features

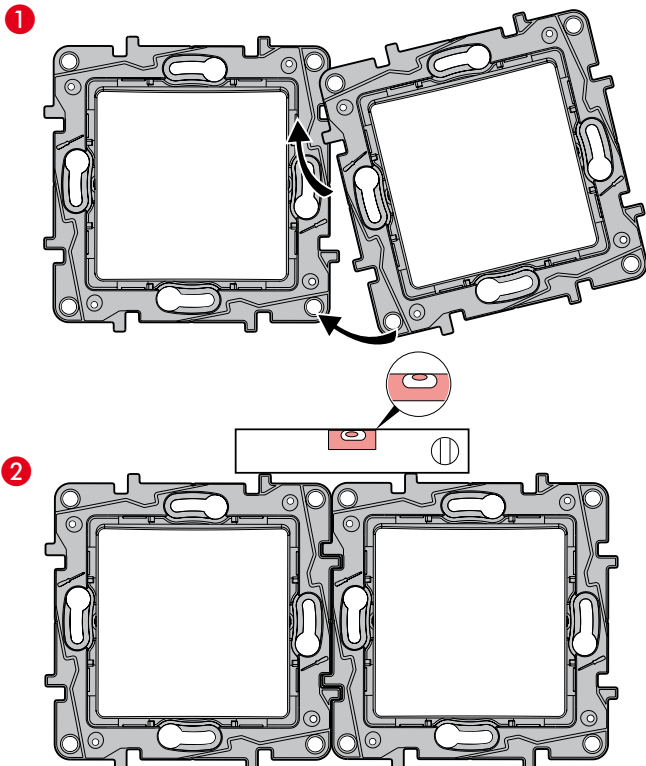
Storage and usage temperature: - 5°C to + 35°C

6.5 Features of the support

Material: Grey (RAL 737) halogen-free polycarbonate.
High impact resistance and torsional strength due to the thickness of the support.

Easy guidance for positioning the mechanisms.

Horizontal or vertical alignment without lifting up the mechanisms too much



6.6 Features of the cover

Material: APET, polyester-based plate, very clear, highly resistant to impacts and chemical agents.

7. MAINTENANCE

Easy-clean (due to poly gloss surface).

8. ACCESSORIES

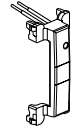
Monitor and indicator lights

Connection by direct mounting
LED lamp

• **665 090**
230 V indicator light
Consumption 0.15 mA

• **665 091**
230 V monitor light
Consumption 3 mA

• **665 092**
12 V - 24 V - 48 V indicator light



Claw

«Rapido» claw

For fixing devices in refurbishment projects



9. STANDARDS AND APPROVALS

- NF agrement 603936
- OC certificats FR 603936
- BBJ, VDE, MEEI, GOST, TSE (planned)