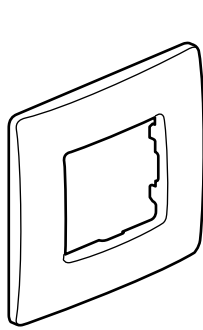
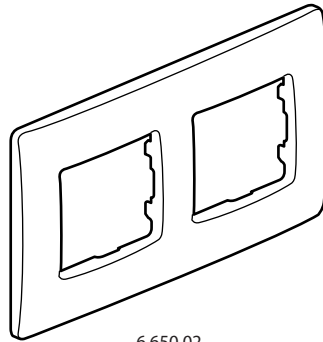


**Niloé™**  
**Covers and accessories**

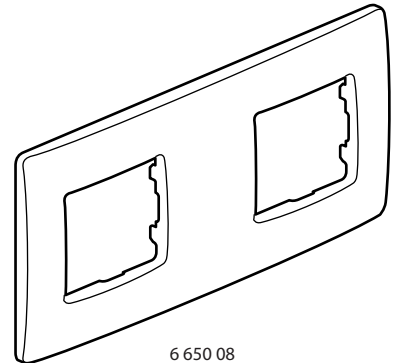
**Catalogue Number(s): 6 650 01/02/03/08/09/11/12/13/18**  
**0 967 01/02/03/04/05/06/07/08/11/12/13/14/15/16/17/18**  
**0 967 21/22/23/24/25/26/27/28**



6 650 01



6 650 02



6 650 08

**1. USE**

Faceplates for Niloé 1-gang, 2-gang and 3-gang wiring accessories. Available in several colours.

**2. RANGE**

**1-gang plates**

	○ White Special version available for large-scale projects Sold in packs of 100 plates	6 650 09
	○ White ● Ivory ● Onyx ● Poppy ● Fern ● Pebble ● Silver ● Cast iron ● Plum ● Chocolate	6 650 01 6 650 11 0 967 01 0 967 02 0 967 03 0 967 04 0 967 05 0 967 06 0 967 07 0 967 08

**2-gang plates**

71 mm spacing - horizontal and vertical

	○ White ● Ivory ● Onyx ● Poppy ● Fern ● Pebble ● Silver ● Cast iron ● Plum ● Chocolate	6 650 02 6 650 12 0 967 11 0 967 12 0 967 13 0 967 14 0 967 15 0 967 16 0 967 17 0 967 18
--	---	--

**3-gang plates**

71 mm spacing - horizontal and vertical

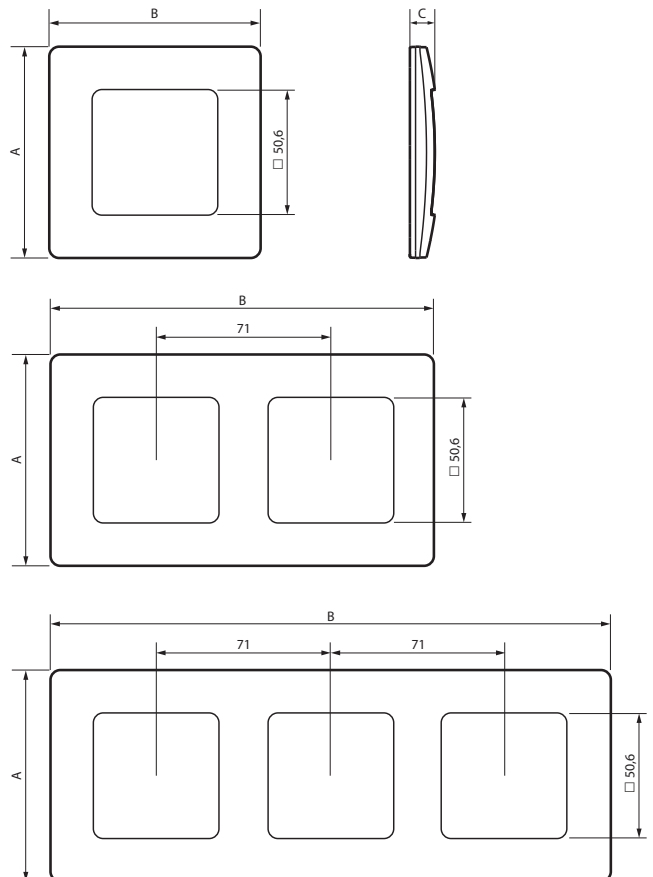
	○ White ● Ivory ● Onyx ● Poppy ● Fern ● Pebble ● Silver ● Cast iron ● Plum ● Chocolate	6 650 03 6 650 13 0 967 21 0 967 22 0 967 23 0 967 24 0 967 25 0 967 26 0 967 27 0 967 28
--	---	--

**2. RANGE (continued)**

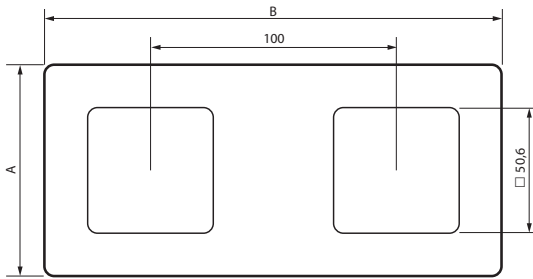
**2-gang plates - 100 mm fixing centres**  
 Supplied with joining spacer

	○ White ● Ivory	6 650 08 6 650 18
--	--------------------	----------------------

**3. OVERALL DIMENSIONS (mm)**



**3. OVERALL DIMENSIONS (mm) (continued)**



	A	B	C
1-gang	86	86	10.15
2-gang 71 mm fixing centres	86	156	10.15
3-gang 71 mm fixing centres	86	228	10.15
2-gang 100 mm fixing centres	86	186	10.15

**4. TECHNICAL CHARACTERISTICS**

■ **4.1 Materials**

Poly gloss appearance

Material: - ABS plate

- Halogen-free

- UV resistant

Self-extinguishing:

+ 850°C/30 s for insulating parts holding live parts in place

+ 650°C/30 s for other parts made of insulating materials

■ **4.2 Climatic characteristics**

Storage and usage temperature: - 5°C to + 35°C

**6. CLEANING**

Clean the surface with a cloth.

Do not use acetone, tar-removing cleaning agents or trichloroethylene.

**Caution:** An initial test is required for the use of other special maintenance products.